

# User Manual

## G65 Pro GaN Fast Charger

### Specification

Model No: HKW06520033-023

Input: 100-240V~50/60Hz 1.5A Max

Output:

USB-C1: 5.0V $\overline{=}$ 3.0A 15.0W, 9.0V $\overline{=}$ 3.0A 27.0W, 12.0V $\overline{=}$ 3.0A 36.0W,  
15.0V $\overline{=}$ 3.0A 45.0W, 20.0V $\overline{=}$ 3.25A 65.0W

USB-C2: 5.0V $\overline{=}$ 3.0A 15.0W, 9.0V $\overline{=}$ 3.0A 27.0W, 12.0V $\overline{=}$ 3.0A 36.0W,  
15.0V $\overline{=}$ 3.0A 45.0W, 20.0V $\overline{=}$ 3.25A 65.0W

USB-A: 5.0V $\overline{=}$ 3.0A 15.0W, 9.0V $\overline{=}$ 2.0A 18.0W, 12.0V $\overline{=}$ 1.5A 18.0W

USB-C1+USB-C2: 45.0W+20.0W

USB-C1+USB-A: 45.0W+18.0W

USB-C2+USB-A: 15.0W

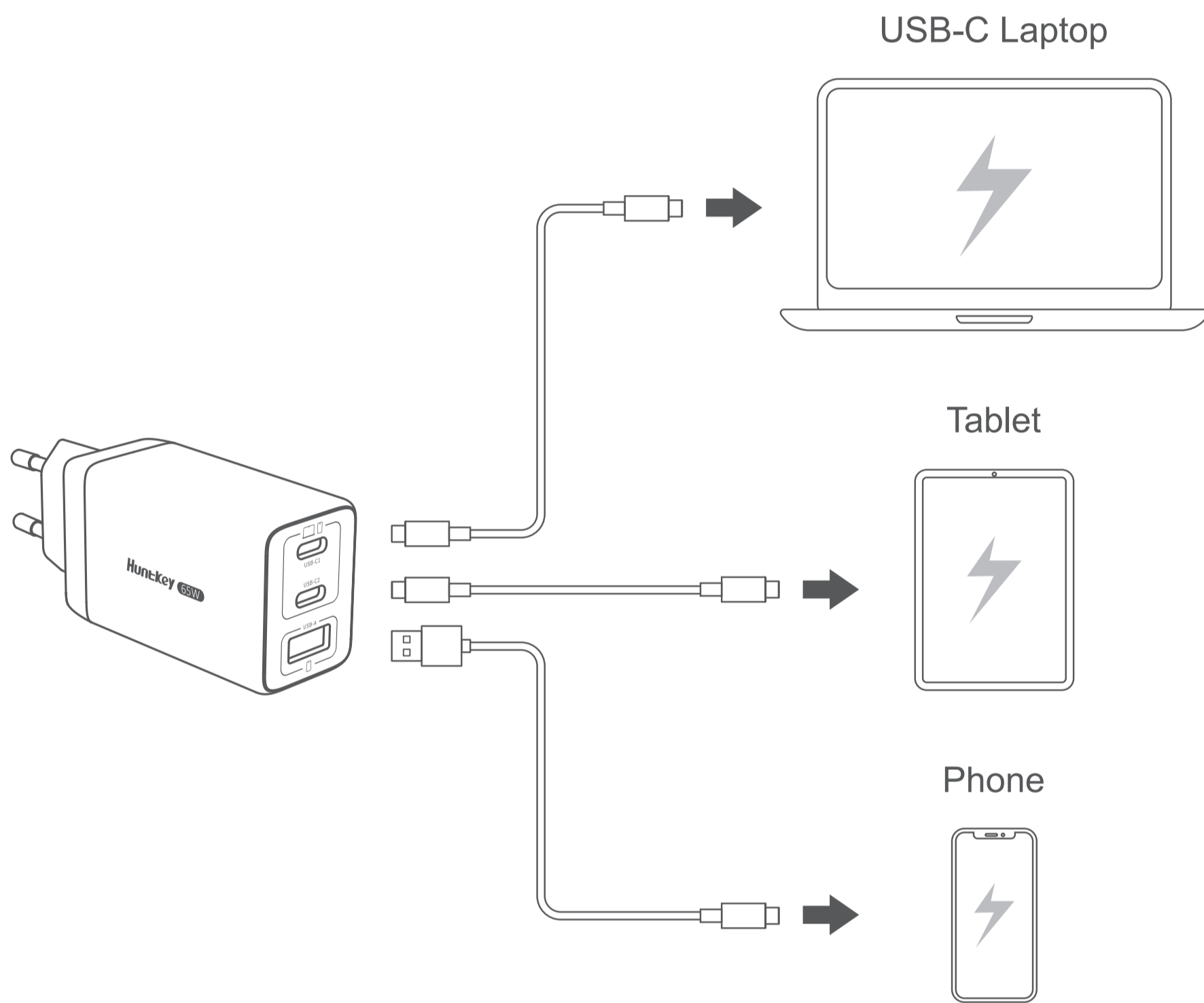
USB-C1+USB-C2+USB-A: 45.0W+15.0W

Total: 65.0W Max

Output Port: 2\*USB-C+1\*USB-A

Operating Temperature: 0°C to +40°C

### Application



### Attention

- ◆ Do not use in extreme temperature.
- ◆ Do not damage the charging cable.
- ◆ Keep the charger and cable dry.
- ◆ Do not drop/disassemble the charger.
- ◆ Do not leave the charger plugged when not in use.

### Customer Service

- ◆ 12-month warranty
- ◆ Lifetime technical support

### Warranty

Huntkey offers 12-month warranty of limited replacement for this product and related accessories.

This warranty is exclusive to the products sold and/or distributed by Huntkey and its worldwide subsidiaries, branches, dealers and distributors, with this warranty sheet attached.

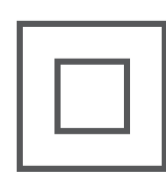
The warranty comes into force upon the date of purchase and is only valid by showing the evidence of purchase.

This warranty exclude following situations(including, but not limited to):

- I ) damaged sequence number
- II ) manmade damage
- III ) damage caused by improper use and/or maintenance
- IV ) repair services offered by any unauthorized individual and/or organization
- V ) damage caused by other reasons

Unless provided for in this warranty, Huntkey does not make any other explicit or implied promises or provisions.

If this warranty conflicts with local laws, the local law shall govern.



**Huntkey**  
Power Your Dream